



2014 PRODUCT CATALOGUE

www.plastim.com.tr

PLASTİM ELECTRIC LTD. was established in 2009 the part of TIM AUTOMATION COMPANY which is more than 30 years in electric and automation market, as the leading manufacturer of plastic electric panels, electrical panel climatisation products and slotted cable ducts in Turkey.

PLASTİM exports in more than 40 countries all over the world and this new catalogue clearly shows that the product assortment has been constantly widened.

Our primary goal is, best serving for all our customers and be satisfied to them. This purpose needs quality research and development and push us better R&D that we continue to add new products to our portfolio. Day after day we add new products to our portfolio.





01

SLOTTED CABLE DUCTS

02

DISTRIBUTION

03

VENTILATION

04

CONTROL

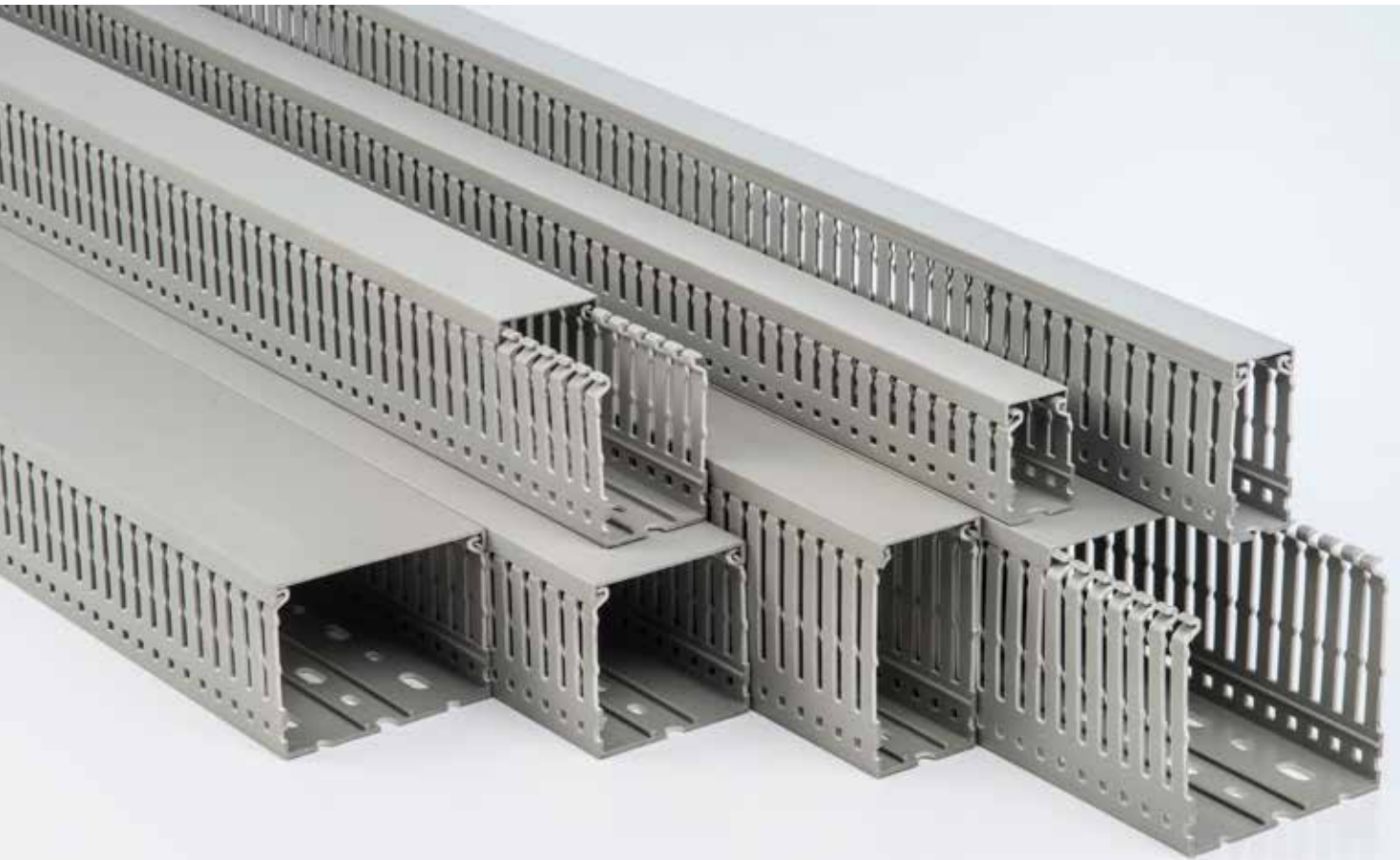
05

HEATING

06

AIR CONDITIONING

01




SLOTTED CABLE DUCTS

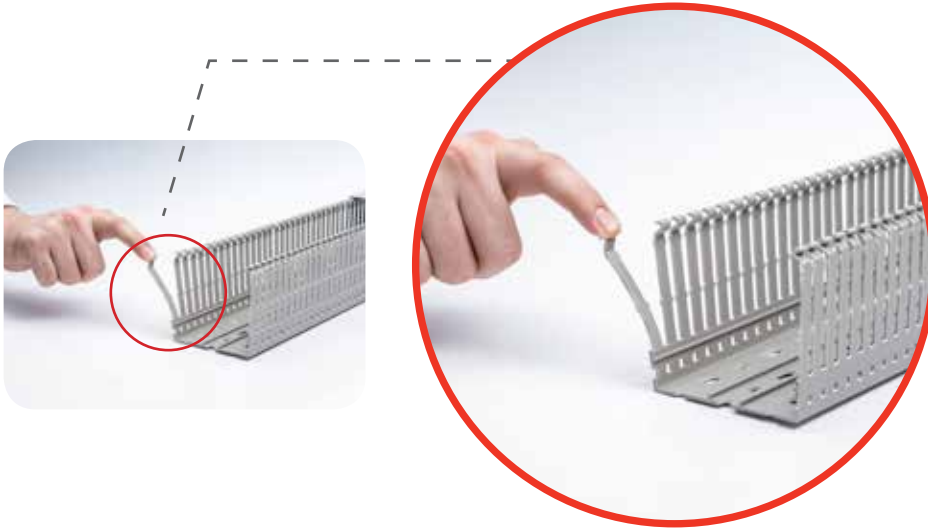


SLOTTED CABLE DUCTS

Code	External Dimensions	Colour	Packaging
PDK 2540	25x40	RAL 7030 Grey	50x2 m
PDK 2560	25x60	RAL 7030 Grey	35x2 m
PDK 4040	40x40	RAL 7030 Grey	35x2 m
PDK 4060	40x60	RAL 7030 Grey	28x2 m
PDK 4080	40x80	RAL 7030 Grey	20x2 m
PDK 6040	60x40	RAL 7030 Grey	25x2 m
PDK 6060	60x60	RAL 7030 Grey	16x2 m
PDK 6080	60x80	RAL 7030 Grey	16x2 m
PDK 8060	80x60	RAL 7030 Grey	14x2 m
PDK 8080	80x80	RAL 7030 Grey	12x2 m
PDK 10060	100x60	RAL 7030 Grey	10x2 m
PDK 10080	100x80	RAL 7030 Grey	10x2 m
PDK 12060	120x60	RAL 7030 Grey	10x2 m
PDK 12080	120x80	RAL 7030 Grey	8x2 m

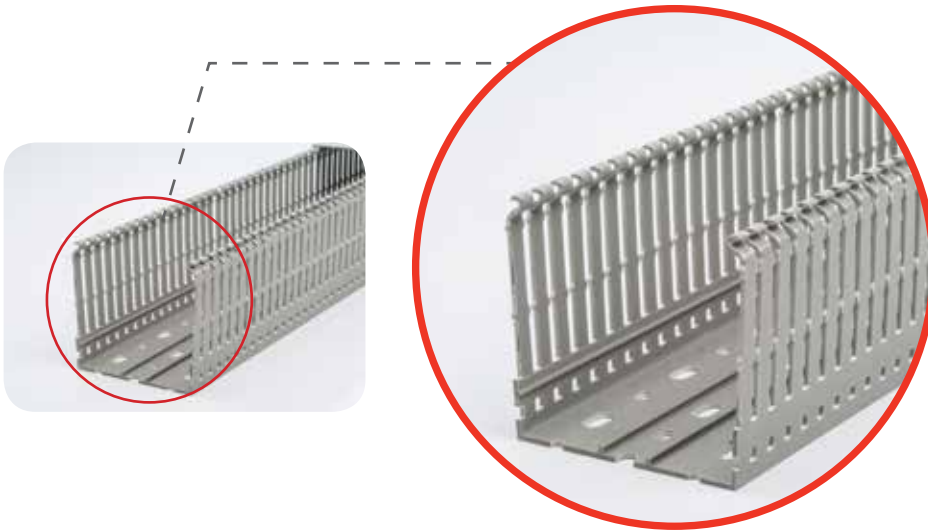
MAIN TECHNICAL FEATURES:

- Made of: technopolymer on rigid PVC base, self-extinguishing (UL94) V0
- Narrow slots 4/6/4mm
- Perforated bottom according to the standard DIN 43659
- Standard bars length: 2m
- Reference Standards: EN 5085-2-3
- Packed in strong cardboard boxes suitable for transport and storage
- Standard colour RAL7030, other colours on request
-  RoHS



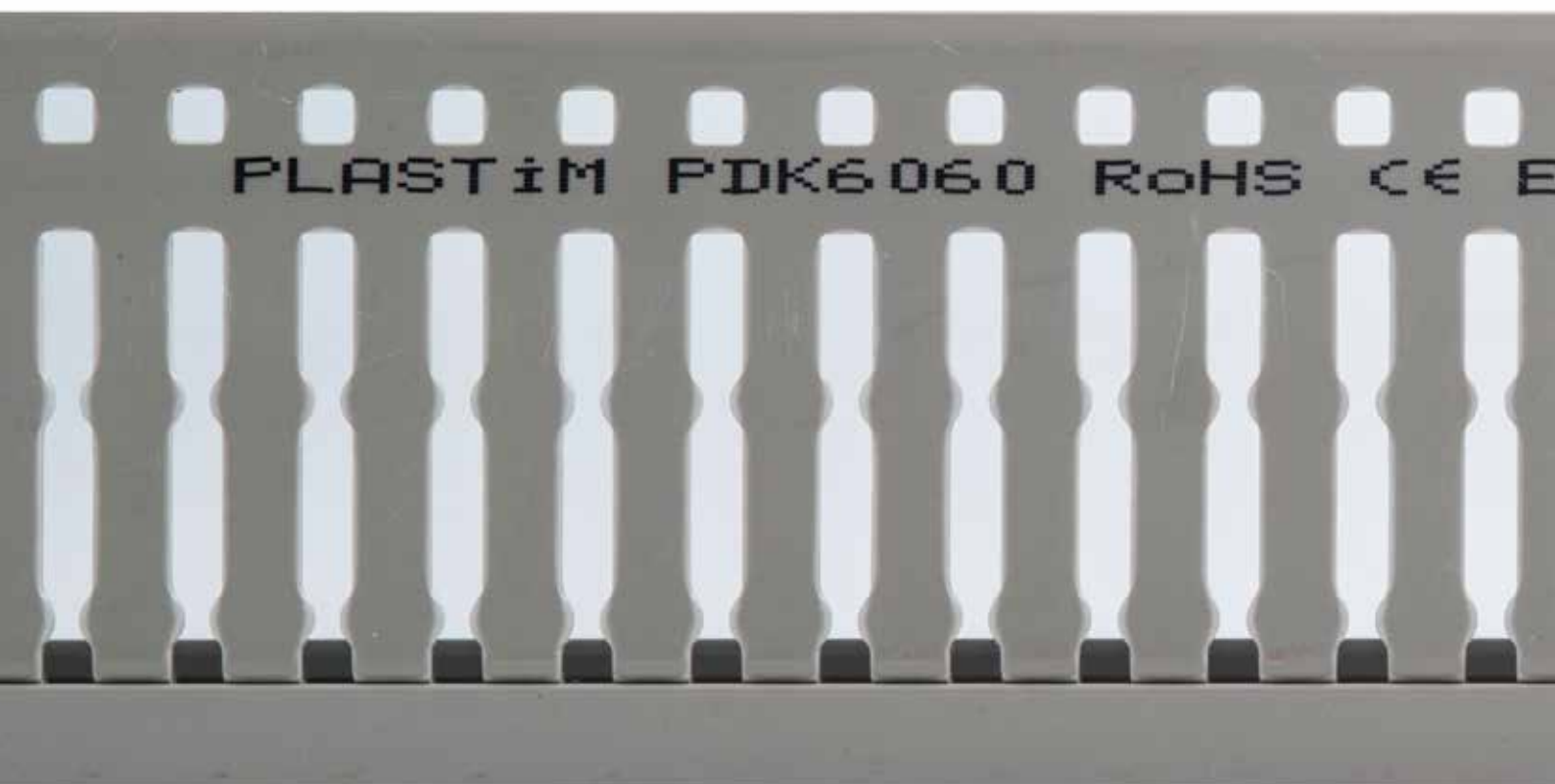
First Break Line

You can bend the duct ribs up to 90 degrees angle and easily break them without any hand tools.



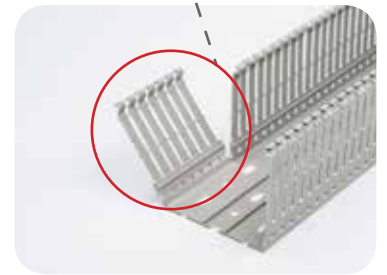
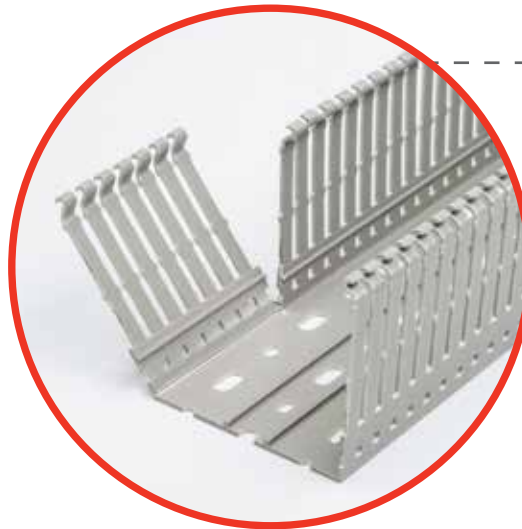
Bottom Rails

You can easily mount the accessories on the bottom rails on the duct.



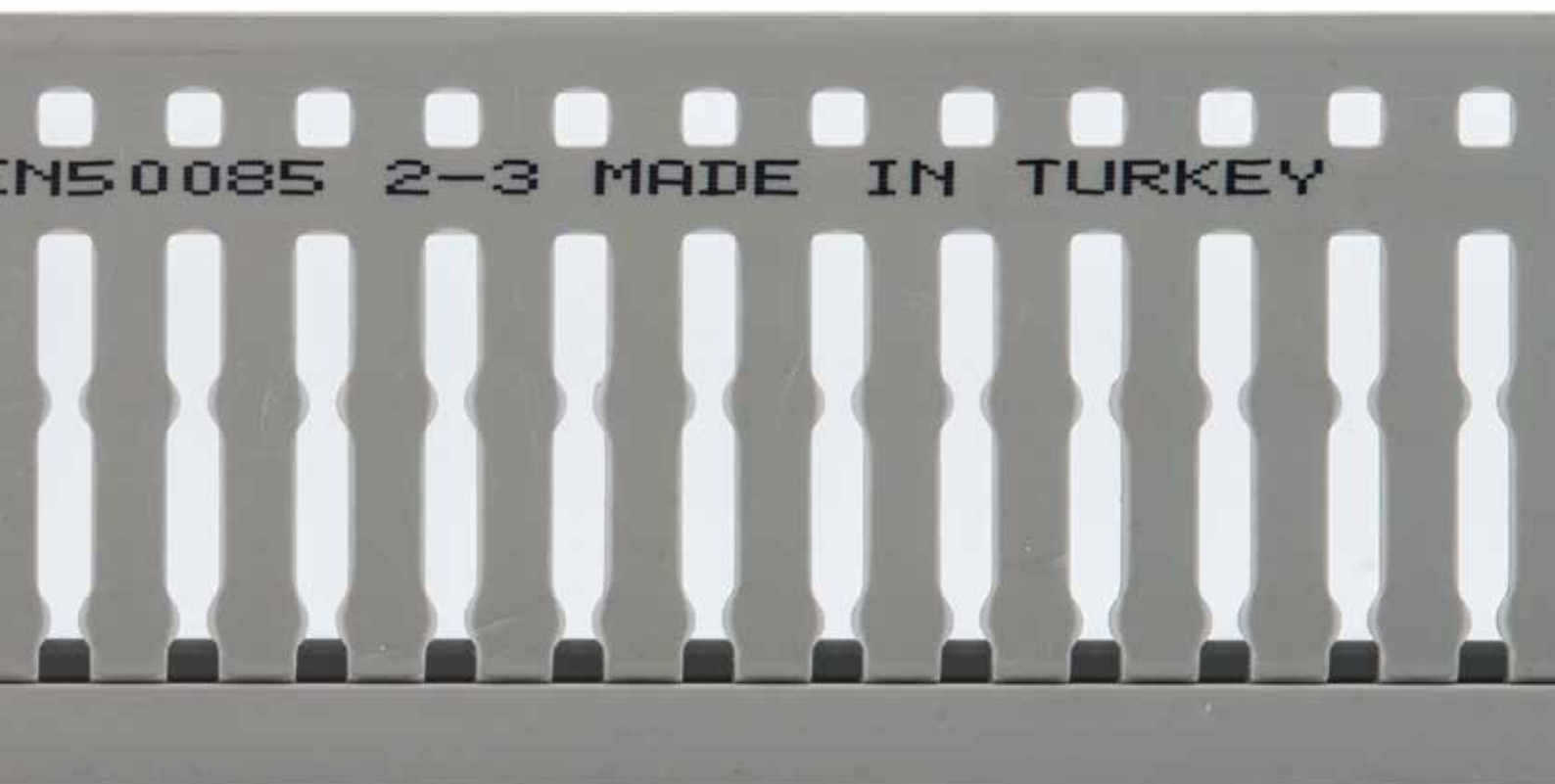
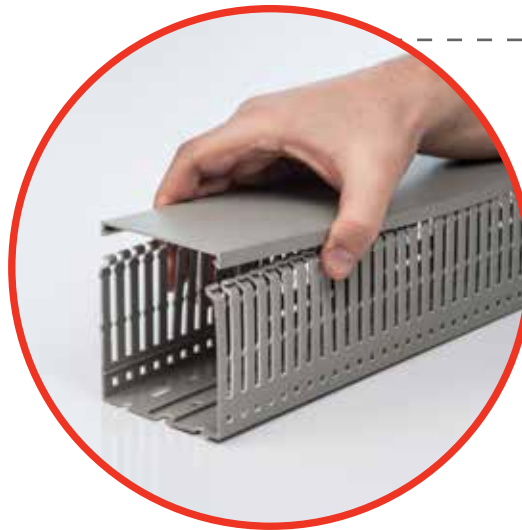
Second Break Line

Second break line at the base of the slots permits to remove the whole trunking wall.



Special Cover Design

Really easy to install also thanks to the cover that doesn't fall of although the trunking is put vertically or turned upside down.



02



DISTRIBUTION



PLASTIC PANELS GREY DOOR

Models	PP3001	PP3002	PP3004	PP3005	PP3006	PP3007	PP3008	PP3010
Dimensions	200x300x130mm	250x350x150mm	300x400x170mm	300x400x220mm	350x500x190mm	400x500x240mm	400x600x200mm	500x700x250mm
Hinge Qty	2							3
Lock Qty	1		2					
Mounting Plate	Galvanised steel 1mm							
Plastic Material	HB ABS Halogen Free							
Weight	1.80kg	2.40kg	3.00kg	3.40kg	4.35kg	5.40kg	5.85kg	9.70kg
Colour	RAL 7035 Grey							
Protection Degree	IP65							
Conformity	CE							



PLASTIC PANELS TRANSPARENT DOOR

Models	PP3011	PP3012	PP3014	PP3015	PP3016	PP3017	PP3018	PP3020
Dimensions	200x300x130mm	250x350x150mm	300x400x170mm	300x400x220mm	350x500x190mm	400x500x240mm	400x600x200mm	500x700x250mm
Hinge Qty	2							3
Lock Qty	1		2					
Mounting Plate	Galvanised steel 1mm							
Plastic Material	HB ABS Halogen Free							
Weight	1.80kg	2.40kg	3.00kg	3.40kg	4.35kg	5.40kg	5.85kg	9.70kg
Colour	RAL 7035 Grey body, Transparent door							
Protection Degree	IP65							
Conformity	CE							



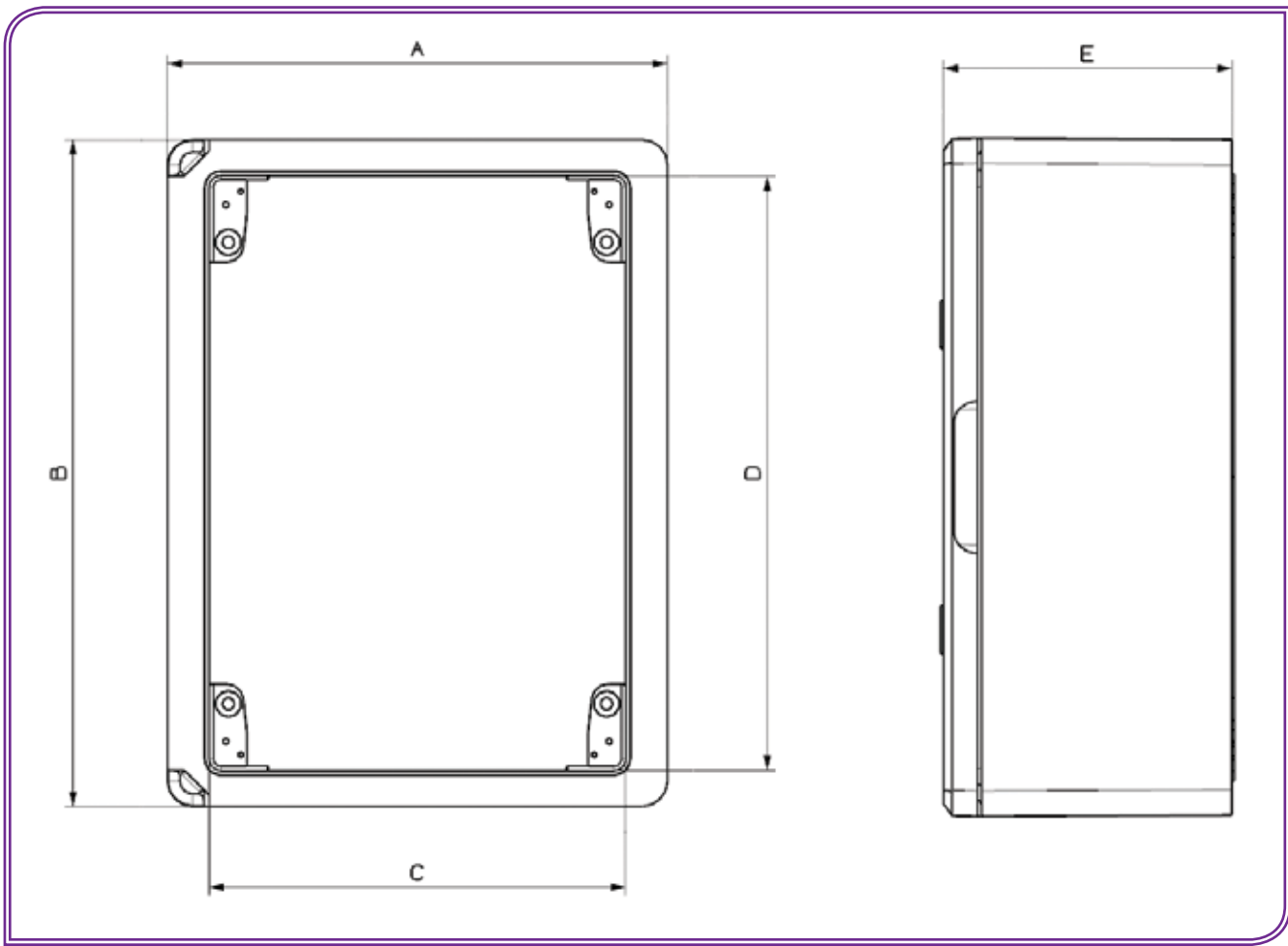
MODULAR PANELS GREY DOOR

Models	PP3102	PP3104	PP3106	PP3108
Dimensions	250x350x150mm	300x400x170mm	350x500x190mm	400x600x200mm
Hinge Qty	2			
Lock Qty	1	2		
MCB Qty	18 (9x2)	24 (12x2)	45 (15x3)	60 (15x4)
Plastic Material	HB ABS Halogen Free			
Weight	2.50kg	3.40kg	4.50kg	6.00kg
Colour	RAL 7035 Grey			
Protection Degree	IP65			
Conformity	CE			



MODULAR PANELS TRANSPARENT DOOR

Models	PP3112	PP3114	PP3116	PP3118
Dimensions	250x350x150mm	300x400x170mm	350x500x190mm	400x600x200mm
Hinge Qty	2			
Lock Qty	1	2		
MCB Qty	18 (9x2)	24 (12x2)	45 (15x3)	60 (15x4)
Plastic Material	HB ABS Halogen Free			
Weight	2.50kg	3.40kg	4.50kg	6.00kg
Colour	RAL 7035 Grey body, Transparent door			
Protection Degree	IP65			
Conformity	CE			



Distribution / Plastic Panels

	200x300x130mm	250x350x150mm	300x400x170mm	300x400x220mm	350x500x190mm	400x500x240mm	400x600x200mm	500x700x250mm
BOARDS CODE	PP3001	PP3102 PP3002	PP3104 PP3004	PP3005	PP3106 PP3006	PP3007	PP3108 PP3008	PP3010
A	200	250	300	300	350	400	400	500
B	300	350	400	400	500	500	600	700
C	143	195	245	241	291	340	341	443.5
D	250	300	352	348	448	447	548	650.5
E	130	150	170	220	190	240	200	250

	200x300x130mm	250x350x150mm	300x400x170mm	300x400x220mm	350x500x190mm	400x500x240mm	400x600x200mm	500x700x250mm
BOARDS CODE	PP3011	PP3112 PP3012	PP3114 PP3014	PP3015	PP3116 PP3016	PP3017	PP3118 PP3018	PP3020
A	200	250	300	300	350	400	400	500
B	300	350	400	400	500	500	600	700
C	143	195	245	241	291	340	341	443.5
D	250	300	352	348	448	447	548	650.5
E	130	150	170	220	190	240	200	250

03



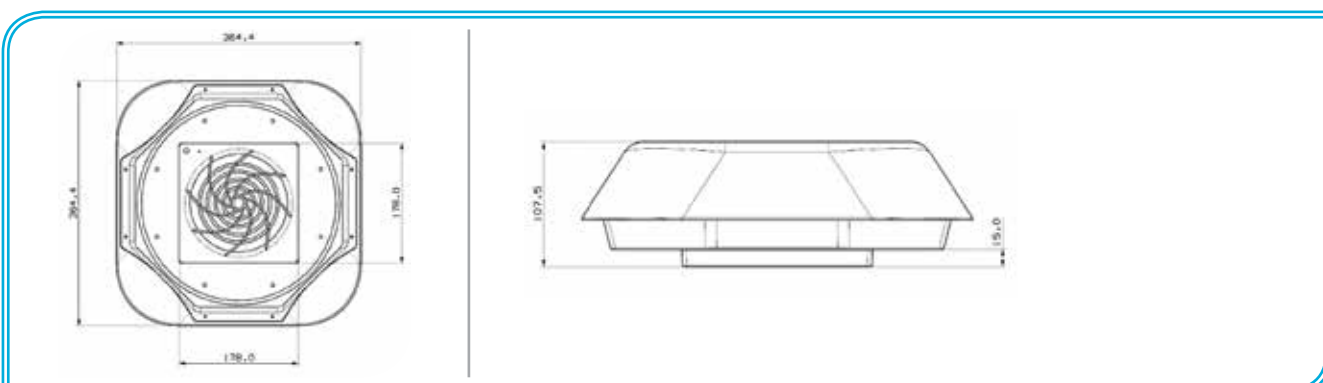
VENTILATION



ROOF FANS

Models	Unit	PFF5500	PFF6000
Air Flow Rate	m ³ /h	560	970
Power Supply	V/Hz	230V 50-60Hz	
Dimensions	mm	364x364x107	
Power Consumption	W	58/75	85/90
Current Consumption	A	0.26/0.34	0.38/0.44
Overcurrent Protection	-	Thermal	
Electrical Connection	-	4-pole terminal 2.5mm ²	
Operating Temperature	°C	-10/+70	
Protection Degree	-	IP44	
Noise Level	dB(A)	62 (64)	72 (73)
Flow Direction	-	inside/out	
Bearing	-	Ball	
Service Life	Hour	50.000	
Plastic Material	-	UL94 V0 ABS Flame Retardant	
Gasket	-	Polyurethane sealing	
Weight	kg	3.16	3.74
Mounting	-	8 pcs m4 screws	
Conformity	-	CE	

Ventilation / Roof Fans



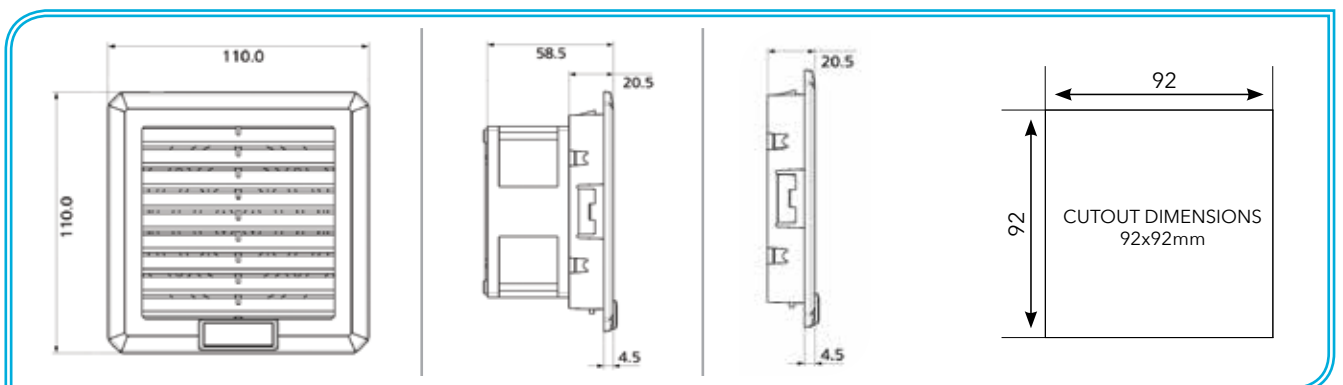


FILTER FANS

30m³/h

Ventilation / Filter Fans - 30m³/h

Models	Unit	PFI 1000	PTF 1000
Air Flow Rate	m ³ /h	-	30 (41)
Power Supply	V/Hz	-	230V 50-60Hz
Dimensions	mm	110x110x20.5	110x110x58.5
Power Consumption	W	-	14 (13)
Current Consumption	A	-	0.08/0.07
Overcurrent Protection	-	-	Impedance
Electrical Connection	-	-	Lead wire
Operating Temperature	°C	-10/+70	
Protection Degree	-	IP54	IP54 / Class I
Noise Level	dB(A)	-	28 (31)
Flow Direction	-	-	Outside-In
Bearing	-	-	Sleeve
Plastic Material	-	UL94 V0 ABS Flame Retardant	
Gasket	-	Self-Adhesive	
Colour	-	RAL7035 (RAL7032 on request)	
Weight	kg	0.10	0.40
Mounting	-	Fast Clip-on	
Conformity	-	CE	



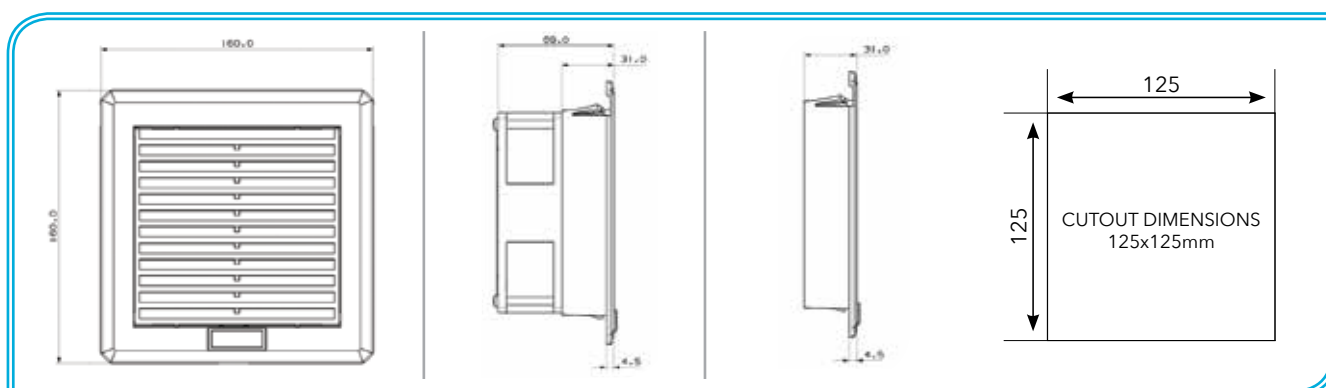


FILTER FANS

100 m³/h

Models	Unit	PFI 1500	PTF 1500
Air Flow Rate	m ³ /h	-	100 (140)
Power Supply	V/Hz	-	230V 50-60Hz
Dimensions	mm	160x160x31	160x160x69
Power Consumption	W	-	26 (23)
Current Consumption	A	-	0.14/0.13
Overcurrent Protection	-	-	Impedance
Electrical Connection	-	-	Lead wire
Operating Temperature	°C	-10/+70	
Protection Degree	-	IP54	IP54 / Class I
Noise Level	dB(A)	-	42 (46)
Flow Direction	-	-	Outside-In
Bearing	-	-	Ball
Plastic Material	-	UL94 V0 ABS Flame Retardant	
Gasket	-	Polyurethane sealing	
Colour	-	RAL7035 (RAL7032 on request)	
Weight	kg	0.18	0.68
Mounting	-	Fast Clip-on	
Conformity	-	CE	

Ventilation / Filter Fans - 100m³/h



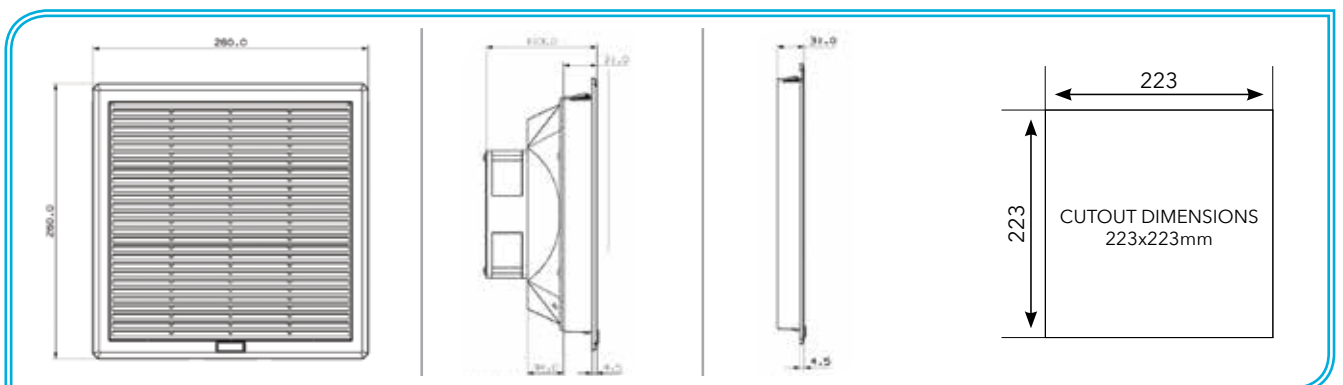


FILTER FANS

115m³/h

Ventilation / Filter Fans - 115m³/h

Models	Unit	PFI 2500	PTF 2500
Air Flow Rate	m ³ /h	-	115 (130)
Power Supply	V/Hz	-	230V 50-60Hz
Dimensions	mm	260x260x31	260x260x103
Power Consumption	W	-	26 (23)
Current Consumption	A	-	0.14/0.13
Overcurrent Protection	-	-	Impedance
Electrical Connection	-	-	3-pole terminal
Operating Temperature	°C	-10/+70	
Protection Degree	-	IP54	IP54 / Class I
Noise Level	dB(A)	-	42 (46)
Flow Direction	-	-	Outside-In
Bearing	-	-	Ball
Plastic Material	-	UL94 V0 ABS Flame Retardant	
Gasket	-	Polyurethane sealing	
Colour	-	RAL7035 (RAL7032 on request)	
Weight	kg	0.48	1.18
Mounting	-	Fast Clip-on	
Conformity	-	CE	



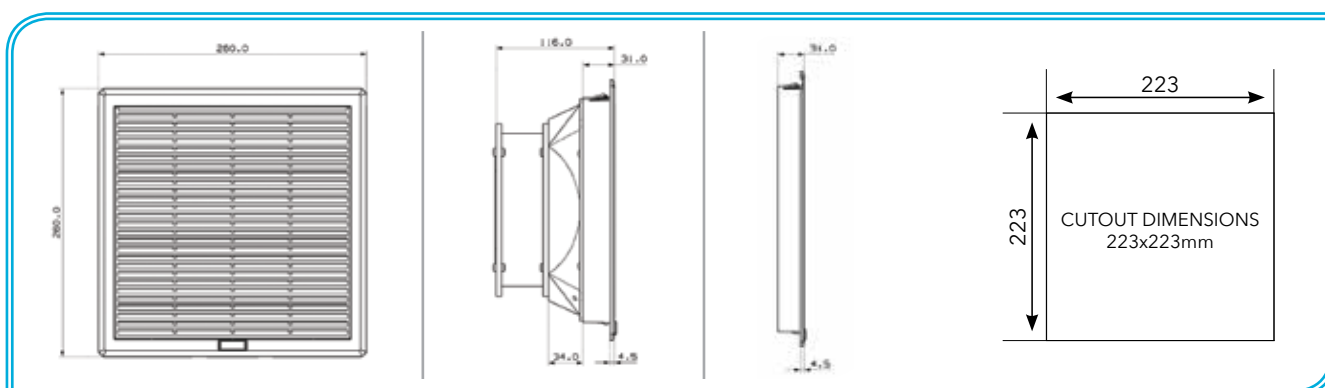


FILTER FANS

240m³/h

Models	Unit	PFI 2500	PTF 3500
Air Flow Rate	m ³ /h	-	240 (270)
Power Supply	V/Hz	-	230V 50-60Hz
Dimensions	mm	260x260x31	260x260x116
Power Consumption	W	-	37 (35)
Current Consumption	A	-	0.23/0.22
Overcurrent Protection	-	-	Impedance
Electrical Connection	-	-	3-pole terminal
Operating Temperature	°C	-10/+70	
Protection Degree	-	IP54	IP54 / Class I
Noise Level	dB(A)	-	52 (53)
Flow Direction	-	-	Outside-In
Bearing	-	-	Ball
Plastic Material	-	UL94 V0 ABS Flame Retardant	
Gasket	-	Polyurethane sealing	
Colour	-	RAL7035 (RAL7032 on request)	
Weight	kg	0.48	1.60
Mounting	-	Fast Clip-on	
Conformity	-	CE	

Ventilation / Filter Fans - 240m³/h



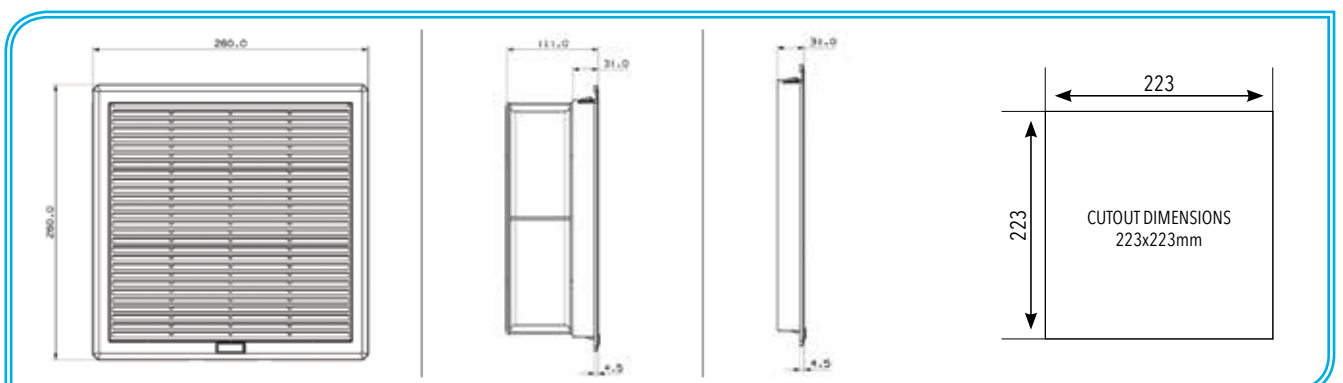


FILTER FANS

650m³/h

Ventilation / Filter Fans - 650m³/h

Models	Unit	PFI 2500	PTF 4500
Air Flow Rate	m ³ /h	-	650 (900)
Power Supply	V/Hz	-	230V 50-60Hz
Dimensions	mm	260x260x31	260x260x111
Power Consumption	W	-	66 (75)
Current Consumption	A	-	0.35/0.38
Overcurrent Protection	-	-	Thermal
Electrical Connection	-	-	4-pole terminal
Operating Temperature	°C	-10/+70	
Protection Degree	-	IP54	IP54 / Class I
Noise Level	dB(A)	-	60 (63)
Flow Direction	-	-	Outside-In
Bearing	-	-	Ball
Plastic Material	-	UL94 V0 ABS Flame Retardant	
Gasket	-	Polyurethane sealing	
Colour	-	RAL7035 (RAL7032 on request)	
Weight	kg	0.48	2.84
Mounting	-	Fast Clip-on	
Conformity	-	CE	



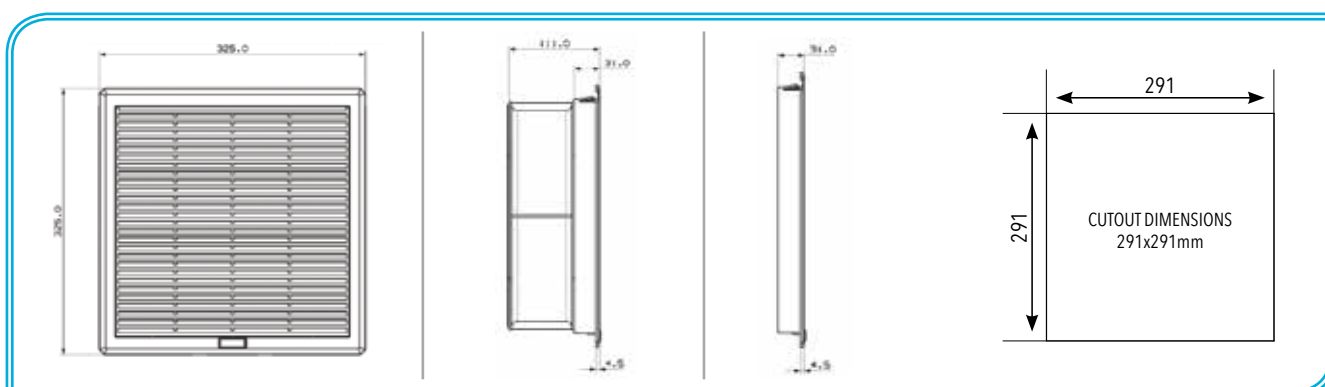


FILTER FANS

850m³/h

Models	Unit	PFI 3000	PTF 5000
Air Flow Rate	m ³ /h	-	850 (1200)
Power Supply	V/Hz	-	230V 50-60Hz
Dimensions	mm	325x325x31	325x325x111
Power Consumption	W	-	110 (140)
Current Consumption	A	-	0.50/0.72
Overcurrent Protection	-	-	Thermal
Electrical Connection	-	-	4-pole terminal
Operating Temperature	°C	-10/+70	
Protection Degree	-	IP54	IP54 / Class I
Noise Level	dB(A)	-	65 (68)
Flow Direction	-	-	Outside-In
Bearing	-	-	Ball
Plastic Material	-	UL94 V0 ABS Flame Retardant	
Gasket	-	Polyurethane sealing	
Colour	-	RAL7035 (RAL7032 on request)	
Weight	kg	0.70	4.12
Mounting	-	Fast Clip-on	
Conformity	-	CE	

Ventilation / Filter Fans - 850m³/h



04

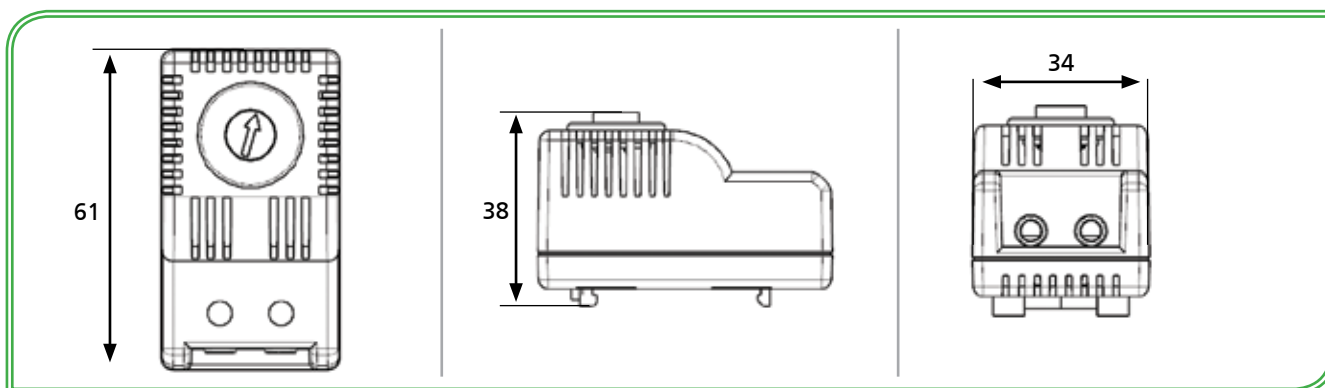


CONTROL



TEMPERATURE CONTROL THERMOSTAT

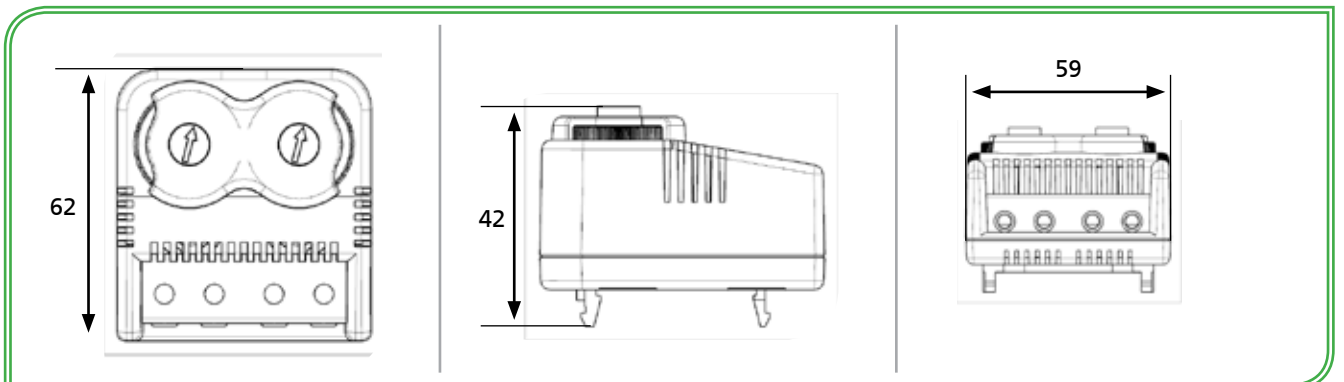
Models	Unit	PTHT	PTVT
Contact Function	-	NC	NO
Temperature Setting Range	°C	0-60	0-60
Colour of Potentiometer	-	RED	BLUE
250V AC / 120V AC	A	10 (2)	15 (2)
Sensor Type	-	Bimetal	
Contact Type	-	Snap Action	
Service Life	Cycle	> 100.000	
Electrical Connections	-	2-Pole Terminal	
Plastic Material	-	UL94 V0 ABS Flame Retardant	
Protection Degree	EN60529	IP20	
Operating Temperature	°C	-25 / +80	
Storage Temperature	°C	-45 / +80	
Mounting	-	Clip for mounting on DIN rail 35mm	
Installation Position	-	Variable	
Conformity	-	CE	
Dimensions HxWxD	mm	61x34x38	
Weight	g	45	





TEMPERATURE CONTROL DOUBLE THERMOSTAT

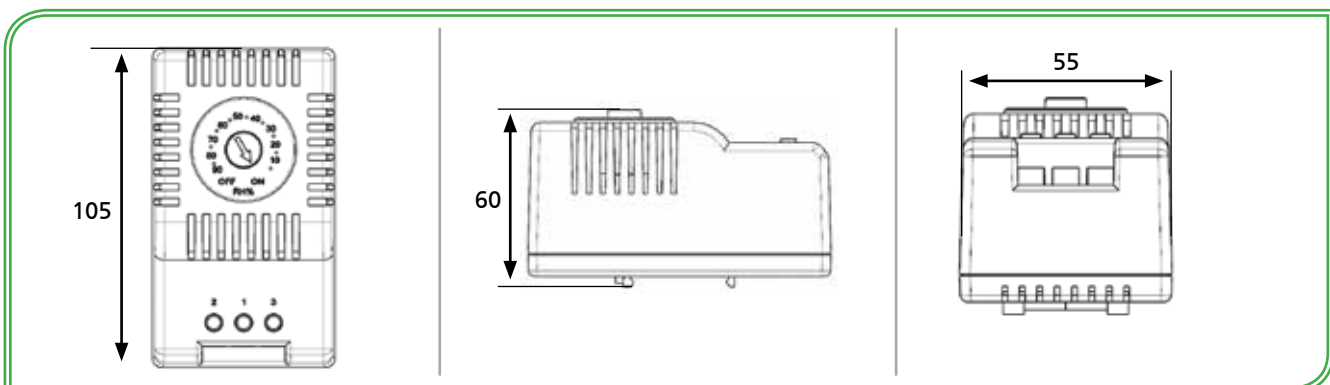
Models	Unit	PTHVT
Contact Function	-	NC+NO
Temperature Setting Range	°C	0-60 / 0-60
Colour of Potentiometers	-	RED + BLUE
250V AC / 120V AC	A	10 (2) / 15 (2)
Sensor Type	-	Bimetal
Contact Type	-	Snap Action
Service Life	Cycle	> 100.000
Electrical Connections	-	4-Pole Terminal
Plastic Material	-	UL94 V0 ABS Flame Retardant
Protection Degree	EN60529	IP20
Operating Temperature	°C	-25 / +80
Storage Temperature	°C	-45 / +80
Mounting	-	Clip for mounting on DIN rail 35mm
Installation Position	-	Variable
Conformity	-	CE
Dimensions HxWxD	mm	65x59x42
Weight	g	80





HUMIDITY CONTROL MECHANICAL HYGROSTAT

Models	Unit	PHG02
Power Supply	V AC	110-250
Setting Range	%RH	10-90
Colour of Potentiometer	-	BLACK
Current	A	10-5
Differential	-	%5, max. %10
Sensor Type	-	Polyamide ribbon
Electrical Connections	-	3-Pole Terminal
Electrical Section Wires	-	From 0,75mm ² to 4.0mm ²
Operating Temperature	°C	+10 / +60
Storage Temperature	°C	+10 / +60
Protection Degree	-	IP20
Colour	-	RAL7035
Mounting	-	Clip for mounting on DIN rail 35mm
Dimensions HxWxD	mm	105x60x55
Weight	g	180
Conformity	-	CE



05

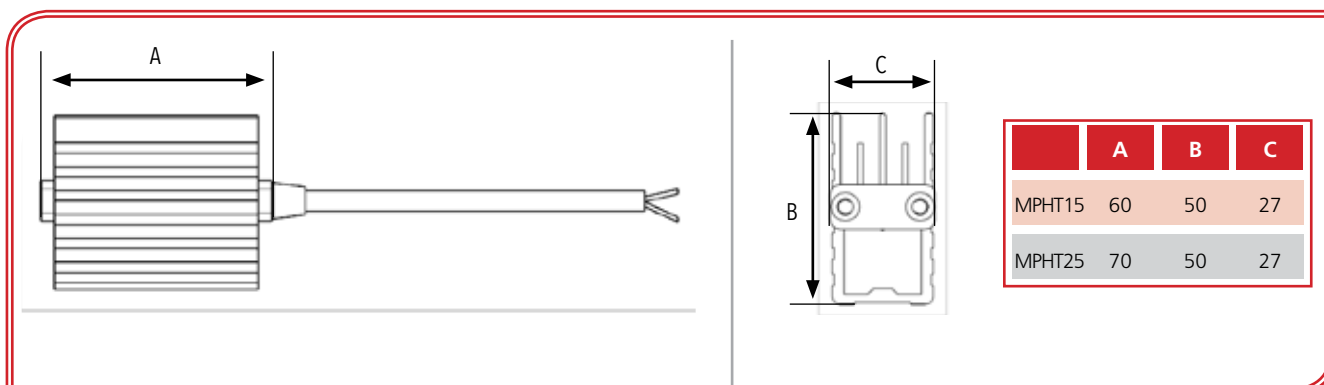


HEATING



MINI PTC HEATERS

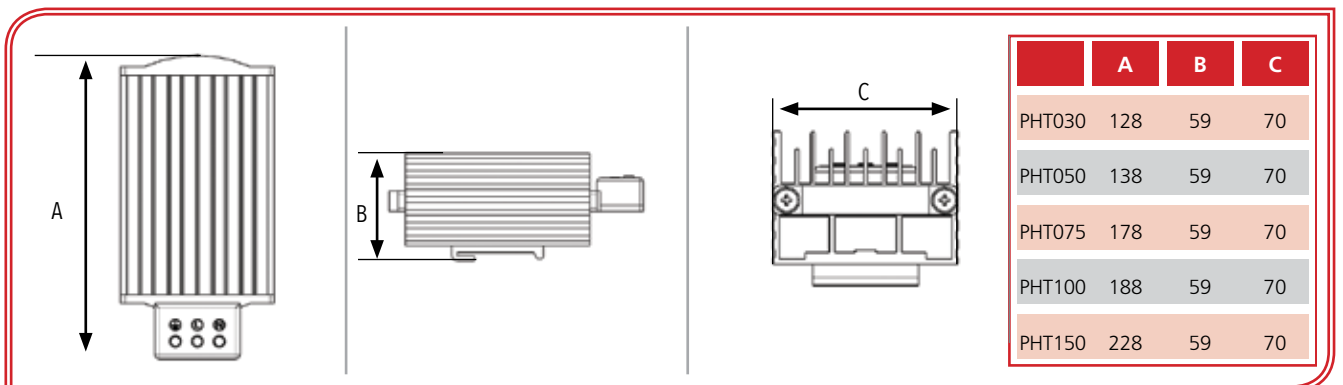
Features	Unit	MPHT 15	MPHT 25
Heating Capacity	W	15	25
Power Supply	V	110-250V AC DC	
Max. Current	A	2A	
Heating Element Type	-	PTC resistor, self regulating	
Overcurrent Protection	-	Electronic thermal overload	
Electrical Connections	-	Lead wire 30cm L-N-E	
Protection Class IEC	-	Class II	
Protection Degree EN60529	-	IP20	
Operating Temperature	°C	-45 / +70	
Storage Temperature	°C	-45 / +70	
Radiator	-	Alluminium profile, anodized	
Mounting	-	Clip for mounting on DIN rail 35mm	
Installation Position	-	Best efficiency in vertical position	
Dimensions HxWxD	mm	60x50x27	70x50x27
Weight	kg	0.11	0.12
Conformity	-	CE	





PTC HEATERS

Features	Unit	PHT 030	PHT 050	PHT 075	PHT 100	PHT 150
Heating Capacity	W	30	50	75	100	150
Power Supply	V	110-250V AC DC				
Max. Current	A	2A	2A	4A	4A	6A
Heating Element Type	-	PTC resistor, self regulating				
Overcurrent Protection	-	Electronic thermal overload				
Electrical Connections	-	3-pole terminal N-L-E				
Protection Class IEC	-	Class II				
Protection Degree EN60529	-	IP20				
Operating Temperature	°C	-45 / +70				
Storage Temperature	°C	-45 / +70				
Radiator	-	Alluminium profile, anodized				
Mounting	-	Clip for mounting on DIN rail 35mm				
Installation Position	-	Best efficiency in vertical position				
Dimensions HxWxD	mm	128x70x59	138x70x59	178x70x59	188x70x59	228x70x59
Weight	kg	0.41	0.44	0.54	0.59	0.72
Conformity	-	CE				

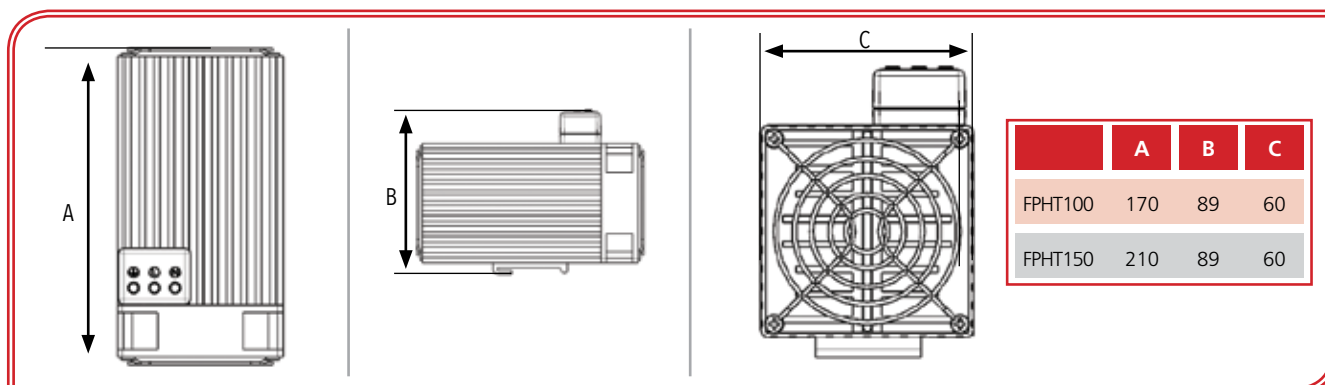




PTC HEATERS WITH FAN

Features	Unit	PFHT 100	PFHT 150
Heatig Capacity	W	100	150
Power Supply	V	110-250V AC DC	
Max. Current	A	4A	6A
Heating Element Type	-	PTC resistor, self regulating	
Axial Fan	-	60x60x30mm 16m ³ /h	
Overcurrent Protection	-	Electronic thermal overload	
Electrical Connections	-	3-pole terminal N-L-E	
Protection Class IEC	-	Class II	
Protection Degree EN60529	-	IP20	
Operating Temperature	°C	-45 / +70	
Storage Temperature	°C	-45 / +70	
Radiator	-	Alluminium profile, anodized	
Mounting	-	Clip for mounting on DIN rail 35mm	
Installation Position	-	Best efficiency in vertical position	
Dimensions HxWxD	mm	170x89x60	210x89x60
Weight	kg	0.70	0.94
Conformity	-	CE	

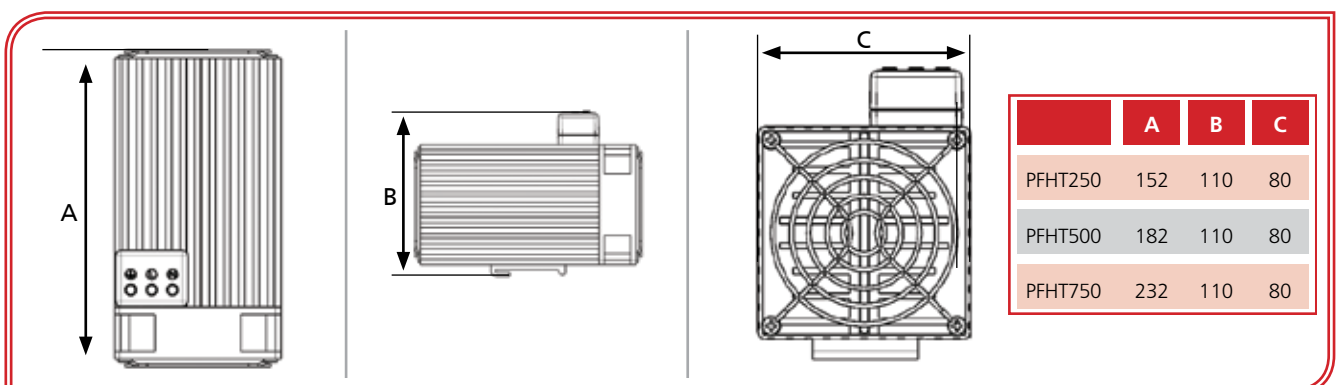
Heating / PTC Panel Heaters with Fan





RESISTANCE HEATERS WITH FAN

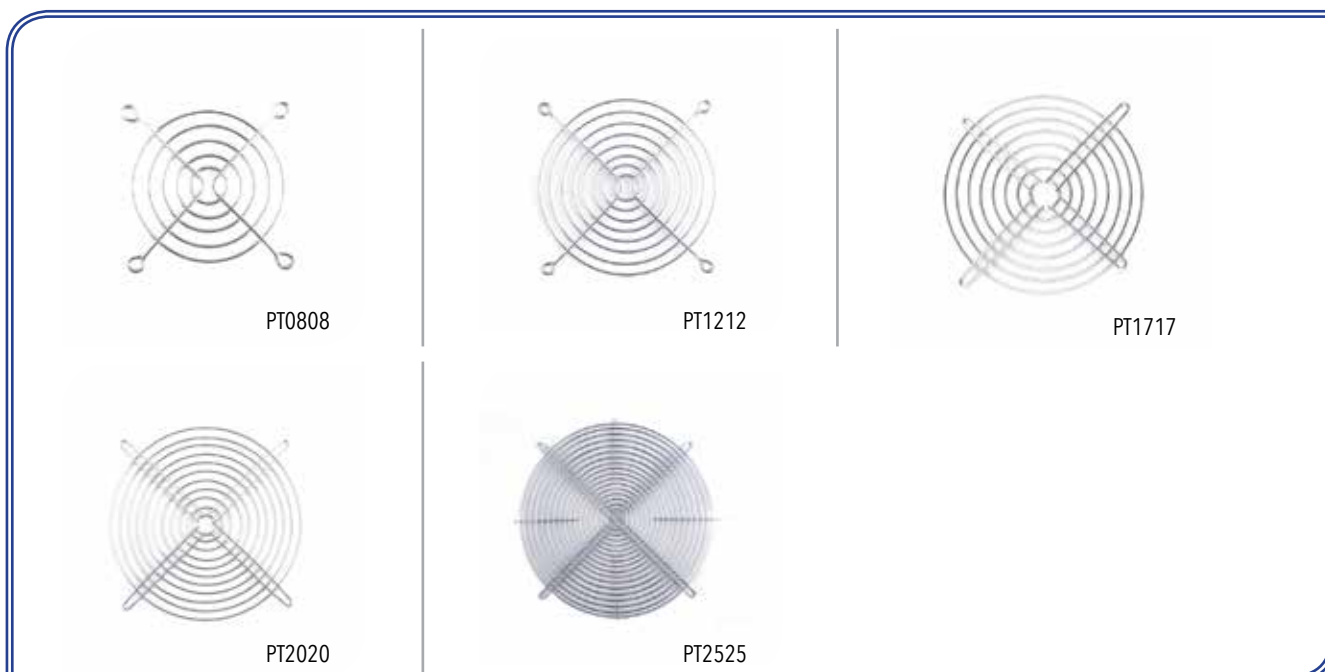
Features	Unit	PFHT 250	PHT 500	PHT 750
Heating Capacity	W	250	500	750
Power Supply	V	230V 50/60 Hz		
Max. Current	A	1.2A	2.4A	3.6A
Heating Element Type	-	Resistance Heater		
Axial Fan	-	80x80x25mm 35m ³ /h		
Overcurrent Protection	-	Electronic thermal overload		
Electrical Connections	-	3-pole terminal N-L-E		
Protection Class IEC	-	Class I, earthed		
Protection Degree EN60529	-	IP20		
Operating Temperature	°C	-25 / +70		
Storage Temperature	°C	-25 / +70		
Radiator	-	Alluminium profile, anodized		
Mounting	-	Clip for mounting on DIN rail 35mm		
Installation Position	-	Best efficiency in vertical position		
Dimensions HxWxD	mm	152x80x110	182x80x110	232x80x110
Weight	kg	0.98	1.20	1.45
Conformity		CE		





PANEL ACCESSORIES

Code	Description	Pack in Pcs
PFM 1000	Filter mat for PFI 1000	10
PFM 1500	Filter mat for PFI 1500	10
PFM 2500	Filter mat for PFI 2500	10
PFM 3000	Filter mat for PFI 3000	10



Code	Description	Pack in Pcs
PT0808	Metallic protection grill for 80x80mm	100
PT1212	Metallic protection grill for 120x120mm	100
PT1717	Metallic protection grill for 170x170mm	100
PT2020	Metallic protection grill for 225x225mm	100
PT2525	Metallic protection grill for 280x280mm	100



Code	Description	Pack in Pcs
PPC A4	Drawing Pocket A4 Size	10

06



AIR CONDITIONING



PANEL TYPE AIR CONDITIONERS

Models	Unit	PAC050.01	PAC075.01	PAC100.01	PAC150.01	PAC200.01	PAC250.01
Cooling Capacity	EN814 A35A35	500W	750W	1000W	1500W	2000W	2500W
Cooling Capacity	EN814 A35A50	400W	600W	800W	1200W	1600W	2000W
Power Supply	V / Hz	1 Phase 230V 50/60Hz					
Dimensions HxWxD	mm	500x310x205	610x320x210	640x320x210	800x400x255	1000x255x400	1000x255x400
Max. Current	A	2.65/2.75	2.65/2.75	3.50/3.60	4.50/4.60	6.00	6.00
Delayed fuse	A	6	6	10	10	16	16
Refrigerant	-	R134a					
Operating Temperature	°C	+20 / +55					
Temperature controller	-	Digital thermostat factor, set 35 °C					
Compressor type	-	Hermetic					
Noise level	dB(A)	52	56	62	65	70	70
Electrical Connections	-	3-pole terminal connector					
Protection Degree	-	Enclosure inside IP54, Ambient inside IP34					
Weight	kg	18.00	26.30	28.50	32.00	43.50	44.00
Colour	-	RAL7035 Grey, (INOX on request)					
Conformity	-	CE					

Air Conditioning / Panel Type Air Conditioners

	A(mm)	B(mm)	C(mm)	Weight (kg)
PAC050	500	205	310	18.00
PAC075	610	210	320	26.30
PAC100	640	210	320	28.50
PAC150	800	255	400	32.00
PAC200	1000	255	400	43.50
PAC250	1000	255	400	44.00



PLASTİM ELEKTRİK MALZEMELERİ İMALAT SAN. TİC. LTD. ŞTİ.

HEADQUARTERS: Perpa Elektrokent A Blok Kat:2 No:37 34384 Okmeydanı-İstanbul-Türkiye
Tel: +90 212 210 17 10 **Fax:** +90 212 221 72 37

FACTORY: Alipaşa Mahallesi Candarlı Sokak No:5/C 34570 Silivri-İstanbul-Türkiye

info@plastim.com.tr
www.plastim.com.tr